

**FEATURES OF THE CF BLACKLINE**

- Increased corrosion resistance
- Increased durability
- Low maintenance
- All-round
- Wide variety of accessories
- High strength alloy steel
- 5 to 24 ton capacity @ 70 MPa
- 127-300 mm stroke length
- Spring return
- Temperature range  
-20°C to +50°C
- Environmentally friendly



**SINGLE ACTING PUSH CYLINDERS  
BLACKLINE**

Cylinders adapted for harsh environments with high risk of corrosion and condensation.

■ **Information**



These robust cylinders are your best choice for harsh environments due to the latest technology.

**Black is the new green:** with more eco-friendly manufacturing process the Blackline cylinders do not only resist the tough environment, they also preserve it without compromising superior quality.

■ **Functionality**



Equipped with a quick coupling, the CF cylinders are easy to connect to your regular hydraulic pump.

Prepared for accessories to be connected at the piston top or at the bottom of the cylinder.

■ **Usability**



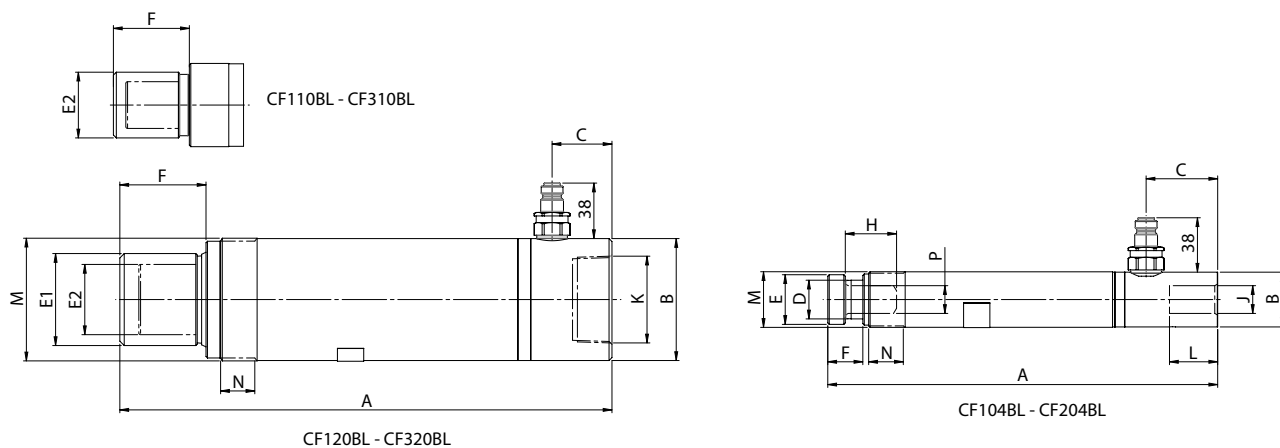
- Scraping and demolition
- Mining industry
- Marine and off-shore
- Oil and gas
- Car maintenance workshops
- Industrial applications

### BLACKLINE - PERFORMANCE

Name	Part number	Pressure MPa (psi)	Capacity kN (t)	Stroke mm (in)	Stroke volume cm <sup>3</sup> (in <sup>3</sup> )	Piston area cm <sup>2</sup> (in <sup>2</sup> )	Weight kg (lbs)
CF104BL	51184	70 (10000)	49 (5)	127 (5)	90 (5.5)	7,1 (1.1)	1,7 (3.7)
CF204BL	51185	70 (10000)	49 (5)	200 (7.9)	142 (8.7)	7,1 (1.1)	2,4 (5.3)
CF110BL	51188	70 (10000)	111 (11)	150 (5.9)	239 (14.6)	15,9 (2.5)	4,7 (10.4)
CF210BL	51189	70 (10000)	111 (11)	200 (7.9)	318 (19.4)	15,9 (2.5)	5,5 (12.1)
CF310BL	51190	70 (10000)	111 (11)	300 (11.8)	477 (29.1)	15,9 (2.5)	7 (15.4)
CF120BL	51194	70 (10000)	232 (24)	127 (5)	422 (25.8)	33,2 (5.1)	10,2 (22.5)
CF220BL	51195	70 (10000)	232 (24)	200 (7.9)	664 (40.5)	33,2 (5.1)	12,4 (27.3)
CF320BL	51196	70 (10000)	232 (24)	300 (11.8)	996 (60.8)	33,2 (5.1)	16 (35.3)

### BLACKLINE - MEASUREMENTS

Name	CF104BL	CF204BL	CF110BL	CF210BL	CF310BL	CF120BL	CF220BL	CF320BL
Dimensions mm (in)								
A	267 (10.5)	340 (13.4)	321 (12.6)	372 (14.6)	474 (18.7)	337 (13.3)	410 (16.1)	510 (20.1)
Ø B	37,5 (1.5)		56,5 (2.2)		84 (3.3)			
C	49 (1.9)		43 (1.7)		41 (1.6)			
Ø D	26,5 (1)		38 (1.5)		60 (2.4)			
Ø E1	34 (1.3)		45 (1.8)		63 (2.5)			
Ø E2	--		32,25 (1.3)		48 (1.9)			
F	25 (1)		52,5 (2.1)		59 (2.3)			
H	33 (1.3)		--		--			
J	19 (0.7)		--		--			
K	--		1 1/4"-11 1/2 NPT		2"-11 1/2 NPT			
L	33 (1.3)		22 (0.9)		22 (0.9)			
M	1 1/2" -16 UN		2 1/4" -14 UN		3 5/16" -12 UN			
N	25 (1)		27 (1.1)		25 (1)			
Ø P	19 (0.7)		--		--			



NOTE! All REHOBOT Data Sheets uses metric ton.  
1 metric ton = 0.98 long ton = 1.10 short ton.